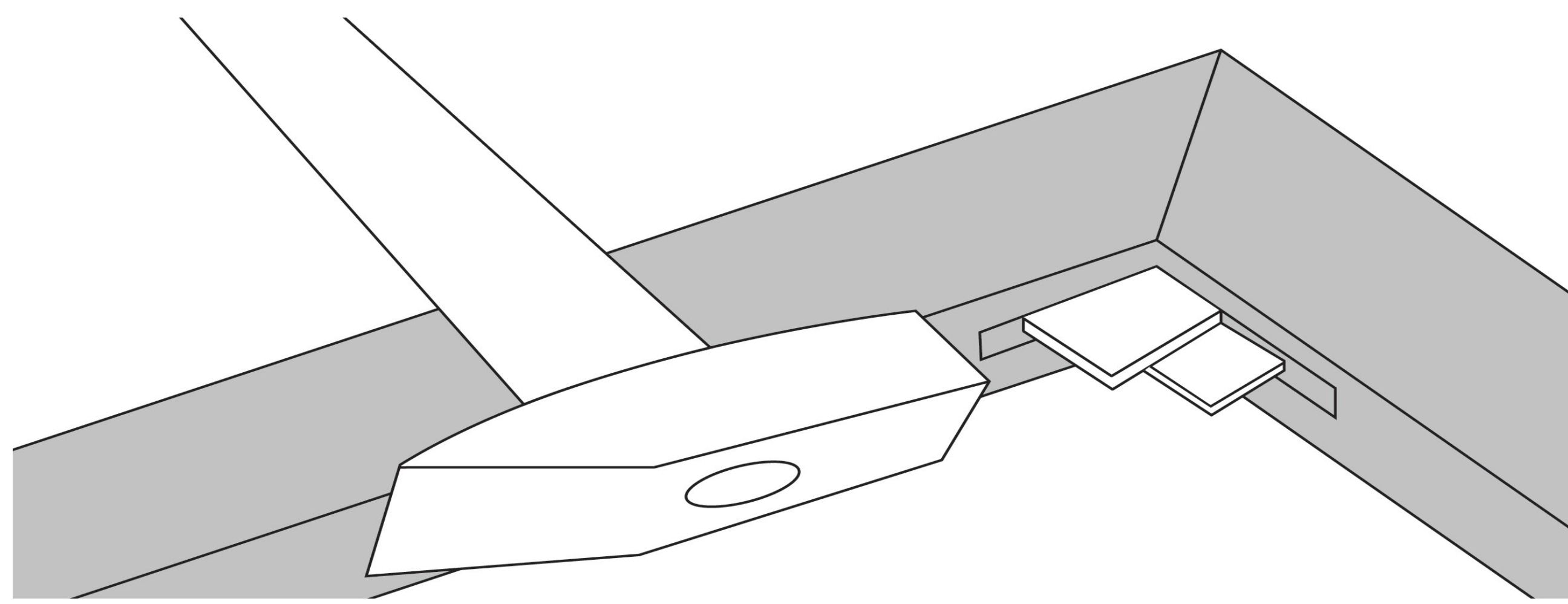
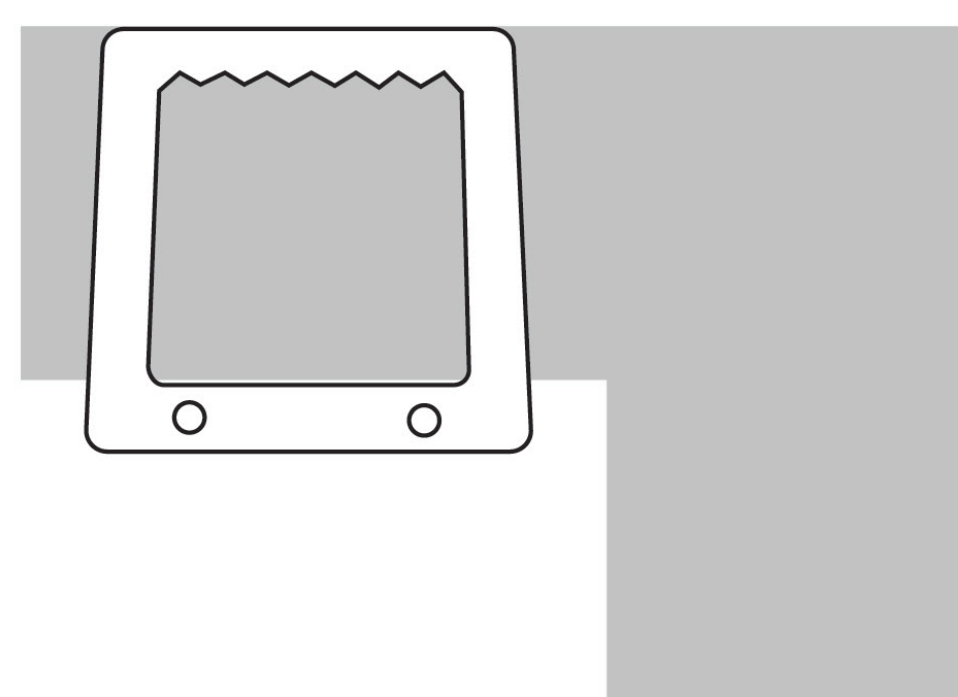


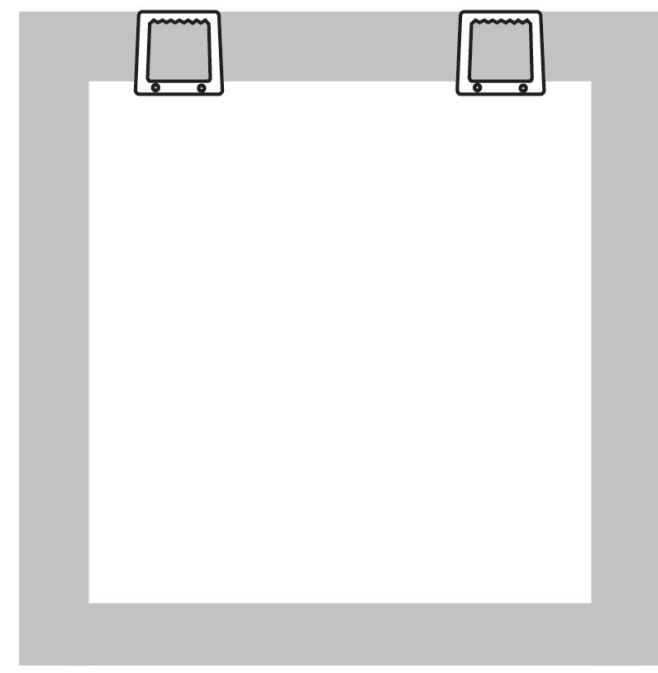
# Instructions for photo canvas



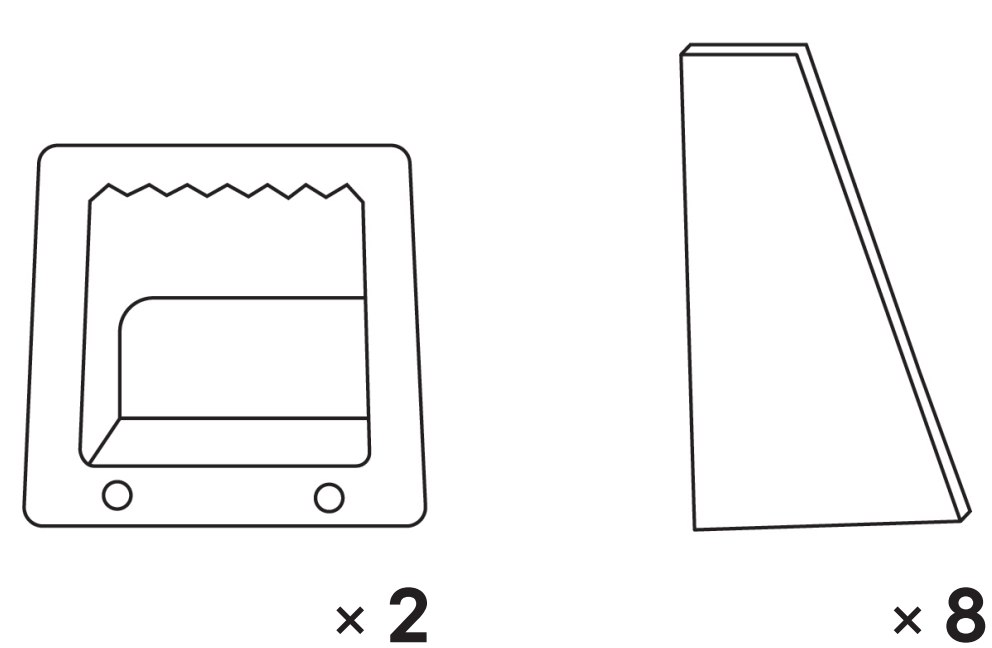
**1** To tension the canvas, use a hammer to very gently beat the wooden wedges into the slots (slot milling) on the inside of the frame. Insert the lower wedge into the corners first and then the second wedge. Proceed little by little, alternating between the two until the required tension is achieved.



**2** Attach the hanger to the back of the canvas stretcher frame.

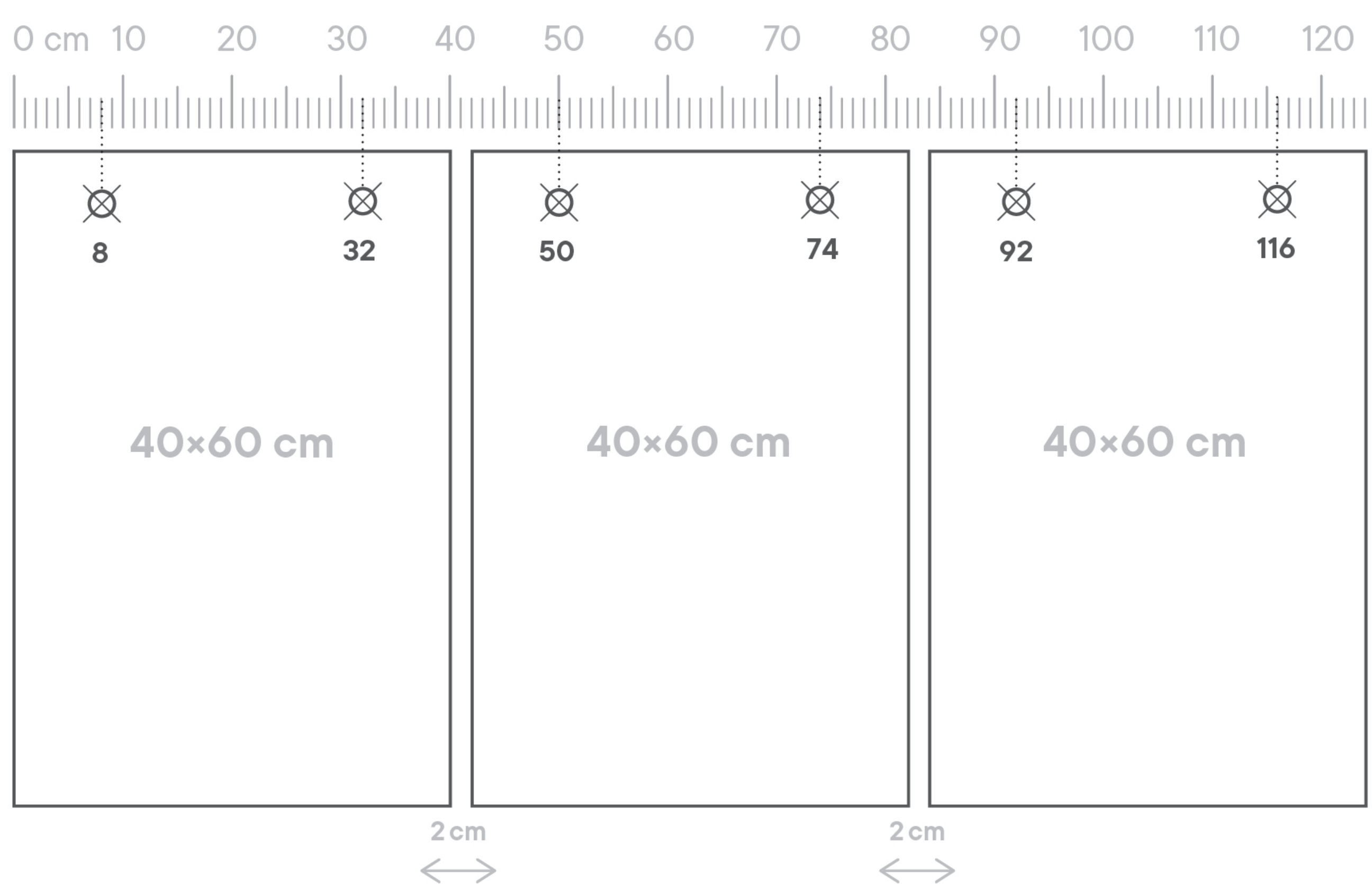


**3** For larger formats, we recommend using of two hangers, one on each side.



Accessories supplied for photo canvas

## Assembly recommendation for multi-panel photo canvas



We recommend hanging the wall decorations 2 cm apart from one another. Simply use the measurements specified in the sketches for your wall decoration.

## General instructions

Remove dust using dry cloth only. Do not use water. Do not place in direct sunlight. Do not hang above a radiator. Not suitable for outdoor use.