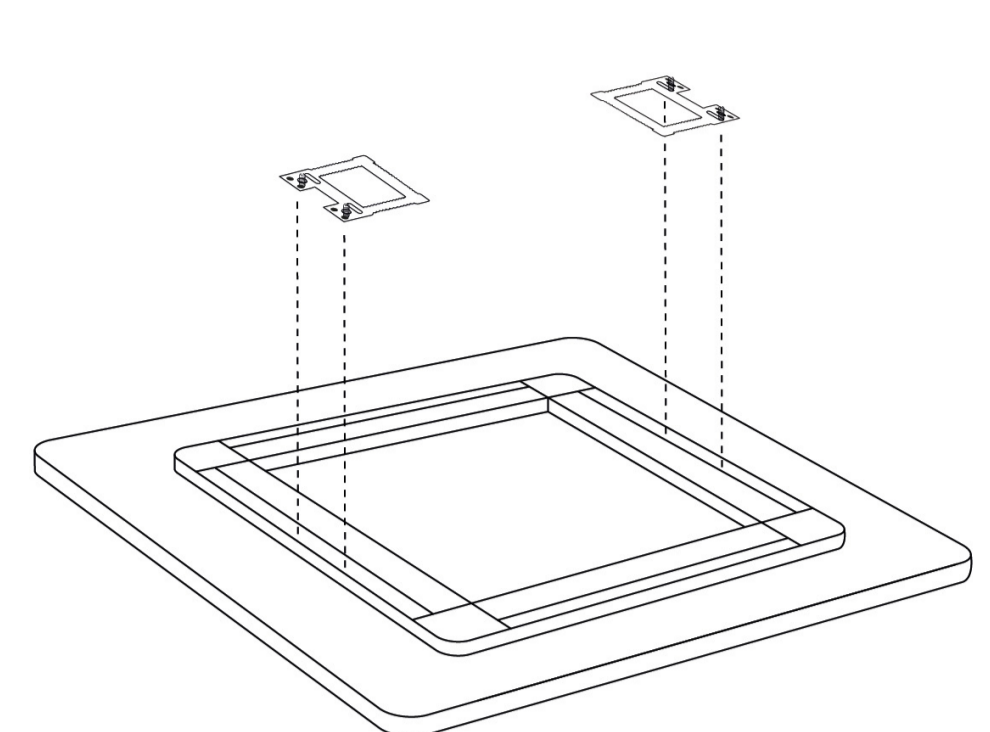
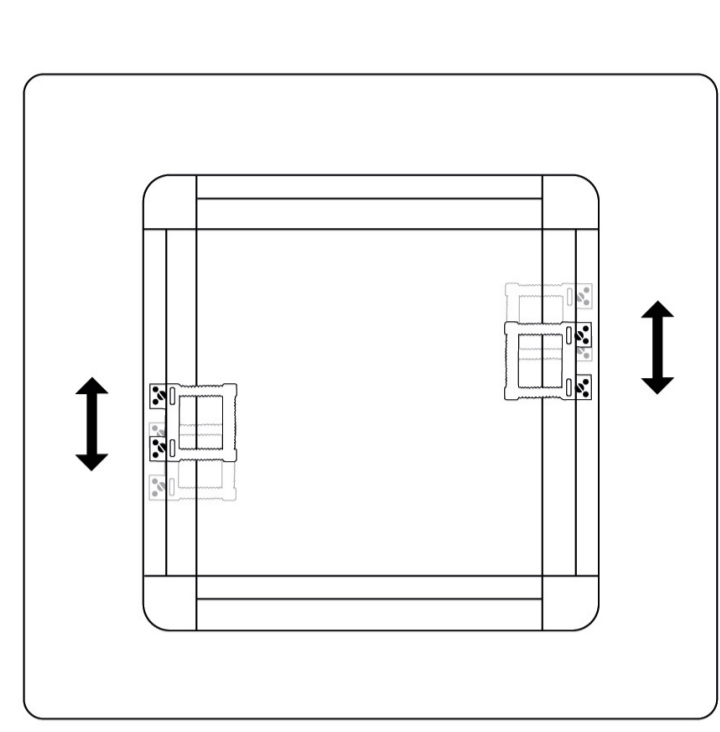


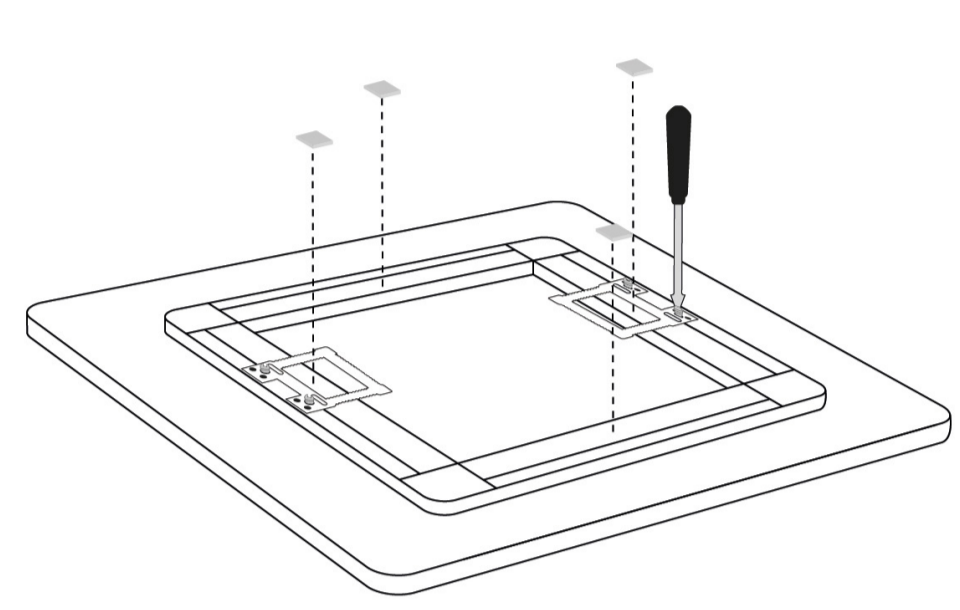
Instructions for HD Metal Print



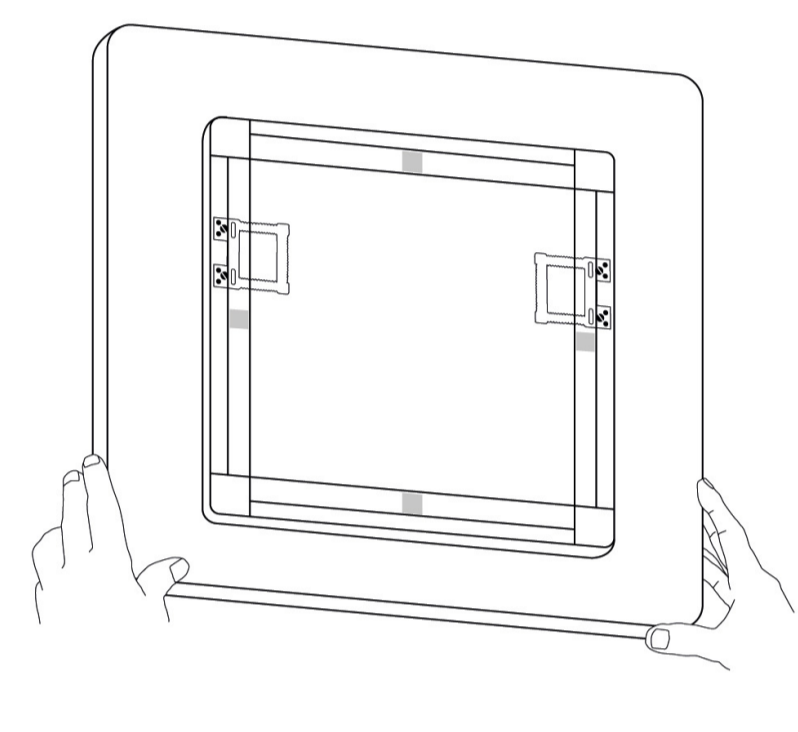
1 Attach the suspension hooks provided.



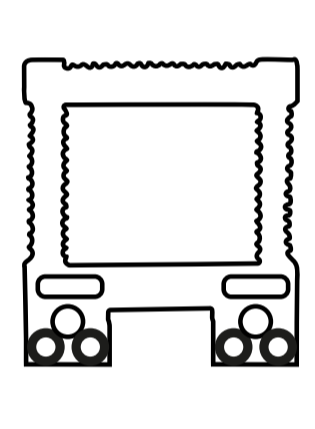
2 Adjust the suspension hooks so that your wall decoration is hanging straight or at the desired angle on the wall.



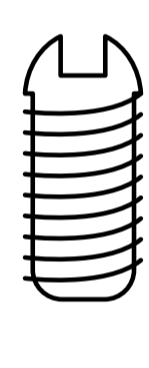
3 Screw the suspension hooks into the frame and apply one foam pad per side on the suspension rail.



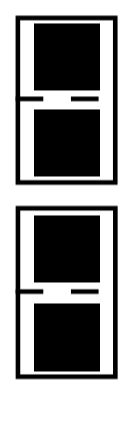
4 Use suitable mounting materials to hang your picture, depending on the condition of the wall and size of the picture.



x 2



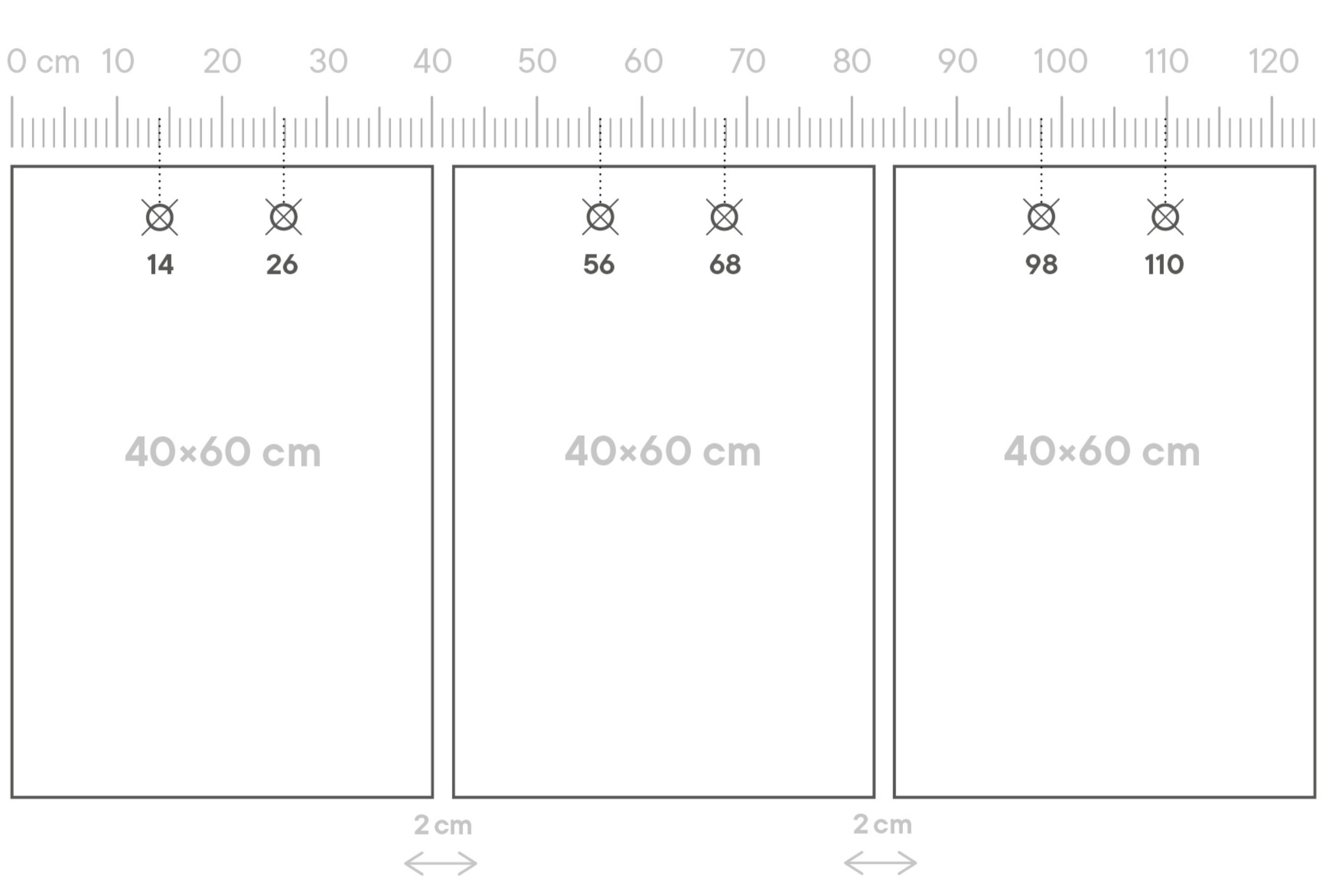
x 4



x 4

Accessories supplied for HD Metal Print

Assembly recommendation for multi panel HD Metal Print



We recommend hanging the wall decorations 2 cm apart from one another. Simply use the measurements specified in the sketches for your wall decoration.

General instructions

Your HD Metal Print is precisely trimmed. The products' edges may be slightly sharp. A damp cloth is suitable for cleaning. Do not use aggressive cleaning agents.